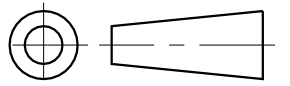


DO NOT SCALE

DIMENSIONS IN mm

METRIC

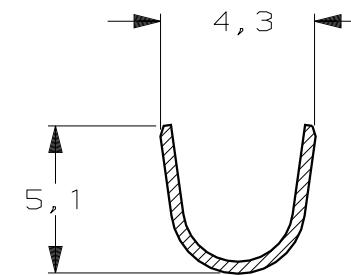
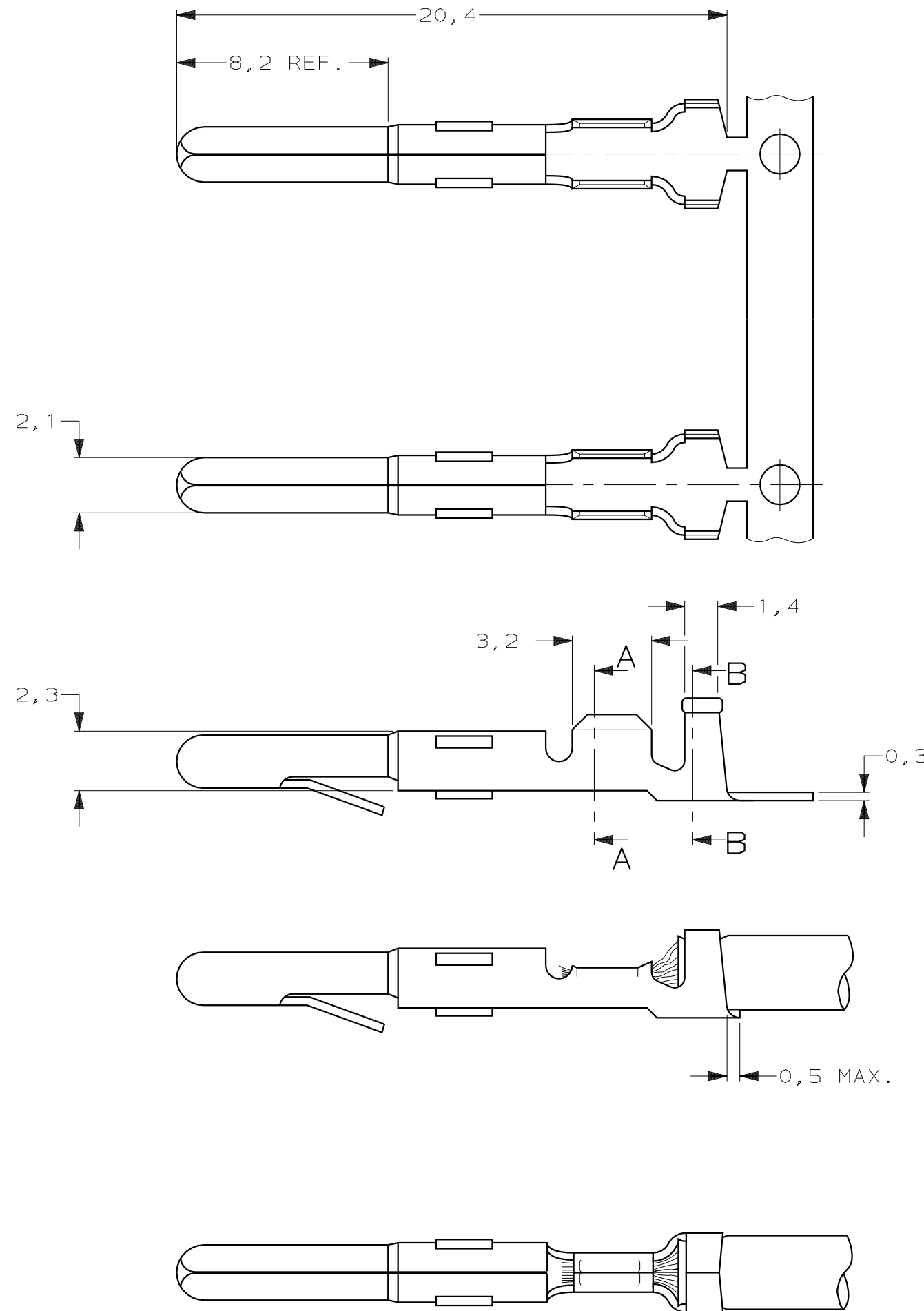
THIRD ANGLE  
PROJECTION



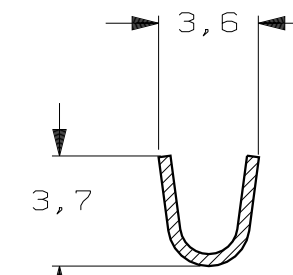
NOTES:

① FOR USE ON STANDARD APPLICATORS. (RIGHT-LEFT FEED)

② FOR USE ON MINIATURE APPLICATORS. (LEFT-RIGHT FEED)



SECTION B-B



SECTION A-A

WIRE RANGE :  
1,0-2,5mm<sup>2</sup> AWG  
INSULATION RANGE :  
2,6-3,8mm DIA.

	①	②	③	④
	②	GOLD	BRASS	1-163303-0
	①	GOLD	PHOSPHOR BR.	163303-9
	②	PRE-TINPLATED	PHOSPHOR BR.	163303-8
	②	UNPLATED	PHOSPHOR BR.	163303-7
	②	PRE-TINPLATED	BRASS	163303-6
	②	UNPLATED	BRASS	163303-5
	①	PRE-TINPLATED	PHOSPHOR BR.	163303-4
	①	UNPLATED	PHOSPHOR BR.	163303-3
	①	PRE-TINPLATED	BRASS	163303-2
	①	UNPLATED	BRASS	163303-1
		PLATING	PLATING	MATERIAL
				PARTNUMBER

CUSTOMER DRAWING				FOR REFERENCE ONLY WILL NOT BE UPDATED	
© COPYRIGHT 19- BY AMP HOLLAND B.V. ALL INTERNATIONAL RIGHTS RESERVED. AMP PRODUCTS MAY BE COVERED BY U.S. AND FOREIGN AND/OR PATENTS PENDING.					
THIS DRAWING IS UNPUBLISHED RELEASED FOR PUBLICATION , 19					
AMP			AMP HOLLAND B.V. 's-Hertogenbosch, The Netherlands.		
F	EH-0653-97	D.K.	A.B.	05 SEP 97	NAME
E	EH-1221-96	JvL	AB	24-10-96	PIN MATE-N-LOK.
LTR.	REVISION RECORD	DR.	CHK.	DATE	
DR.:	J.v.LIEMPT	CHK.:	A.BIJNEN.	APP.:	M.v.DRIEL
DATE:	24 OCT 96	DATE:	-	DATE:	-
DWG.No.			REV.LTR.		SHEET
C-163303			F		1 OF 1